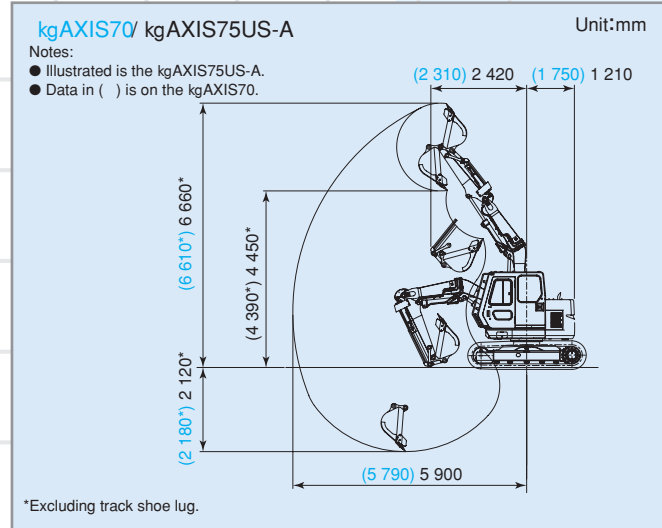
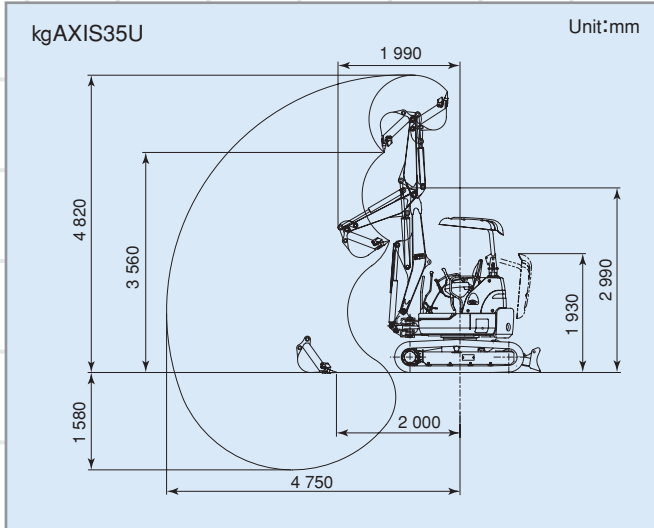


# Underground Work Machine

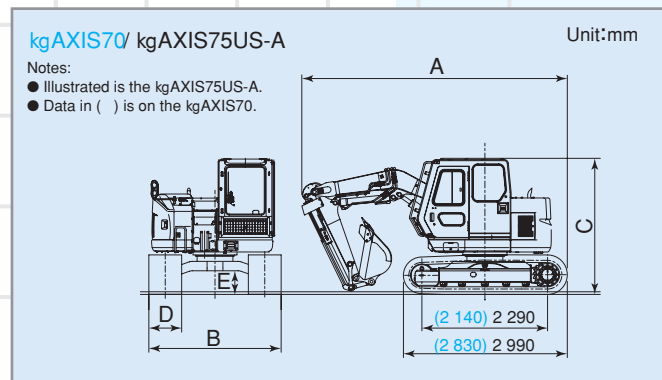
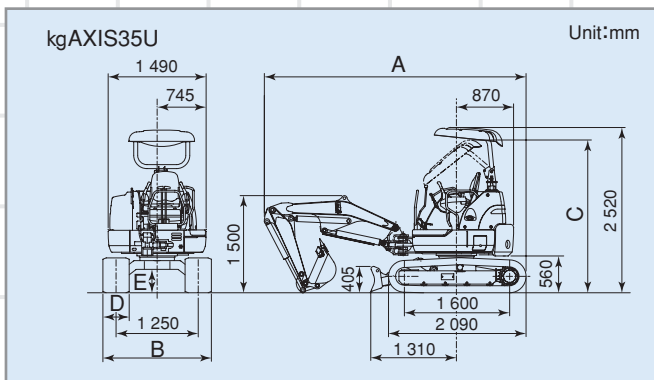
Displays its distinctive capacity at job sites with limited working height

- Productive operation in confined space thanks to short-reach front and low-profile cab.

## Working Range Diagram



## Dimensions



## Specifications

Applicable Models		kgAXIS35U	kgAXIS70	kgAXIS75US-A
Bucket capacity (PCSA heaped)	m <sup>3</sup>	0.10	0.42	
Operating weight	kg	3 610	6 350	7 130
Dimension	A Overall transport length	3 980	4 980	4 840
	B Overall transport width	1 650	2 300 (excl. rearview mirror) with 600 triangular shoe	2 420 (excl. rearview mirror) with 600 triangular shoe
	C Transport height	2 330	2 400	2 480
	D Shoe width	400 (Triangular shoe)		600 (Triangular shoe)
	E Minimum ground clearance	290	360*	
Ground pressure	kPa (kgf/cm <sup>2</sup> )	25.0 (0.26)	24.3 (0.25)	25.5 (0.26)
Swing speed	min <sup>-1</sup> (rpm)	9.0	11.3	11.0
Travel speed High/Low	km/h	4.5 / 3.2	5.0 / 3.4	5.0 / 3.3
Gradeability	degree (‰)	30 (58)	35 (70)	
Engine		Isuzu AA-3LD2	Isuzu AA-4JG1	

<Note> \* Excluding track shoe lug.