

Mighty Track Version/Muddy Terrain Version

Meets requests for stronger travel force and solidly-built undercarriage

- Stronger travel force and traction force, as well as increased durability of undercarriage.
- Increased productivity on a slope or soft terrain to meet the requirements of applications such as mountain road construction, river maintenance, cultivated field work, etc.
- Low ground pressure of 40kPa with standard equipment (ZAXIS110M).

◆ ZAXIS110M

ZAXIS110's upperstructure + Travel device components for 20t class machines

◆ ZAXIS130MT

ZAXIS120's upperstructure + Travel device components for 20t class machines

◆ ZAXIS370MTH

ZAXIS350's upperstructure + Travel device components for 40t class machines

◆ ZAXIS480MT (H)

ZAXIS450's upperstructure + Side frames for 60t class machines

● Increased traction force

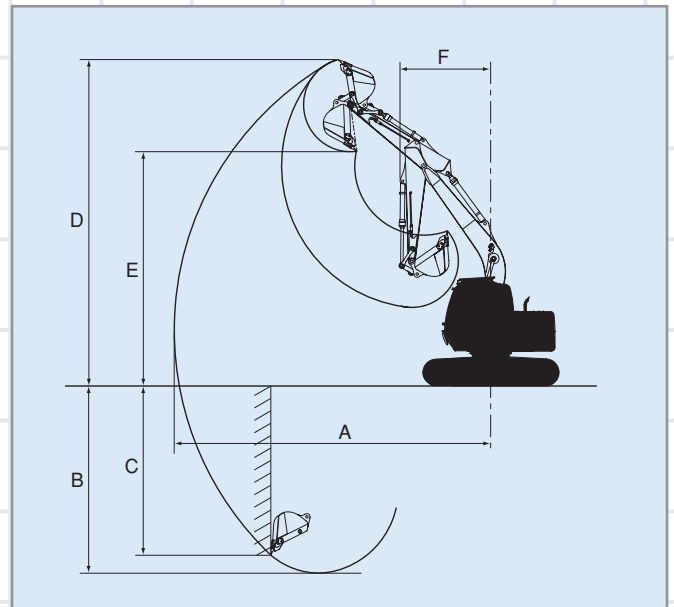
- ZAXIS110M :15% up (vs. ZAXIS120)
- ZAXIS130MT :15% up (vs. ZAXIS120)
- ZAXIS370MTH :16% up (vs. ZAXIS350)
- ZAXIS480MT (H) :29% up (vs. ZAXIS450)

● Increased minimum ground clearance/upperstructure clearance

- ZAXIS110M :595mm/1 100mm
- ZAXIS130MT :595mm/1 100mm
- ZAXIS370MTH :560mm/1 250mm
- ZAXIS480MT (H) :810mm/1 430mm



● Working Range Diagram ●



● Working Range ●

Applicable Models	ZAXIS110M 4.60m Boom + 2.52m Arm	ZAXIS130MT 4.60m Boom + 2.52m Arm	ZAXIS370MTH 6.4m Boom + 3.2mH Arm	ZAXIS480MT (H) 7.0m Boom + 3.4m Arm (3.4mH Arm)
A Max. digging reach	mm 7 700	8 270	11 100	12 050
*B Max. digging depth	mm 4 880	5 360	7 270	7 690
*C Max. vertical wall	mm 4 420	4 810	6 410	6 590
*D Max. cutting height	mm 8 320	8 780	10 360	11 160
*E Max. dumping height	mm 5 910	6 370	7 240	7 740
F Min. front swing radius	mm 2 340	2 340	4 490	4 840

<Note> *Excluding track shoe lug.

● Specifications ●

Applicable Models	ZAXIS110M	ZAXIS130MT	ZAXIS370MTH	ZAXIS480MT (H)
Operating weight	kg 12 800	13 500	36 300	47 300 (48 500)
Bucket capacity (PCSA heaped)	m ³ 0.45	0.50	1.50 Rock bucket	2.1 (1.9 Rock bucket)
Shoe Width	mm 500 Grouser	500 Grouser	600 Grouser	600 Grouser
Ground pressure	kPa (kgf/cm ²) 27 (0.28)	40 (0.41)	68 (0.69)	84 (0.85) (86 (0.87))
Travel speed High/Low	km/h 4.2/2.4	4.9/2.7	5.3/3.2	4.0/2.9
Traction force	kN (kgf) 130 (13 300)	130 (13 300)	285 (29 000)	415 (42 300)
Gradeability	% (degree) 70 (35)	70 (35)	70 (35)	70 (35) (70 (35))
Engine	Isuzu CC-4BG1T	Isuzu CC-4BG1TC	Isuzu AA6HK1X	Isuzu AA-6WG1TQA
Rated output	kW/min ⁻¹ (PS/rpm) P mode:59/1 950 (80/1 950) H/P mode:63/2 150 (85/2 150)	P mode:63/1 950 (85/1 950) H/P mode:66/2 150 (90/2 150)	P mode:177/1 900 (240/1 900) H/P mode:184/2 000 (250/2 000)	P mode:230/1 700 (313/1 800) H/P mode:235/1 800 (320/1 800)

<Note>●Data shown above are in SI (International System of Unit) units, followed by data in conventional units in ().

●Wide shoe and triangular shoe are optionally available.