

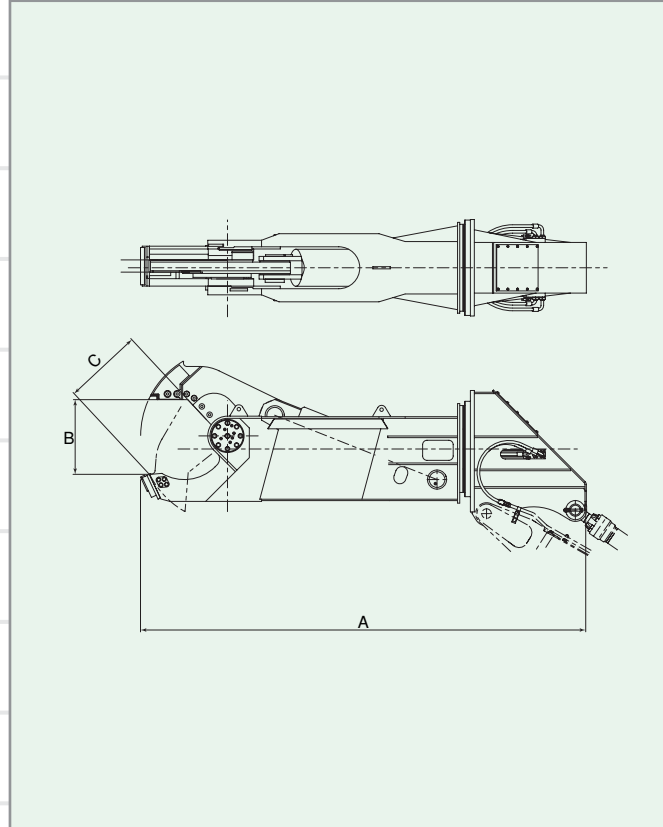
Giant Shear

Efficient, productive shearing at demolishing site and scrap yard

- Big shearing force for powerful breaking of reinforcing bars, and demolishing of ships and rolling stocks.
- Field shearing of large structures before feeding to furnace.
- Safe, efficient shearing instead of gas cutting.



● Dimensions ●



● Specifications ●

Applicable Models		ZAXIS350LCK	
Type		HGS3500R	4500R
Operating weight	kg	7 090	8 800
A Overall length	mm	5 000	5 930
B Max. opening width	mm	855	910
C Tooth-to-tooth distance	mm	905	980
Max. cutting force	kN (tf)	956 (975)	3 300 (337)

<Note> Data shown above are in SI units, followed by data in conventional units in ().

● Working Range Diagram ●

