

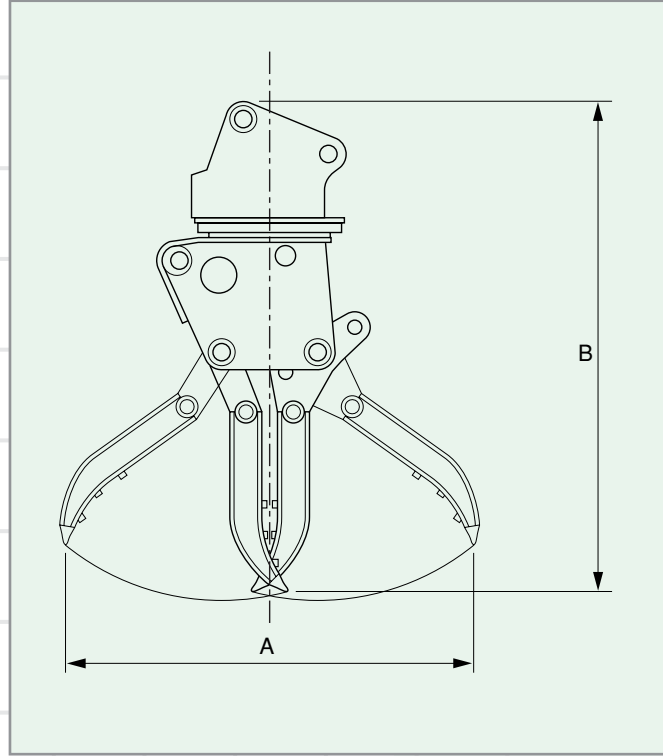
Fork Grapple

Wide application range from demolition to scrap handling

360° swing type

● The rotation feature allows the grapple to easily grab an objective.

● Dimensions ●



● Specifications ●

Applicable Models		ZAXIS70 (LC)	ZAXIS110	ZAXIS120	ZAXIS200 (LC)	ZAXIS330	
Type		FG18RT	FG35RT	FG35RT	FG65RT	FG100RT	
Operating weight	kg	530	930	930	1 690	2 440	
Grabbing force (at center of fork)	kN (kgf)	17.7 (1 800)	34.0 (3 470)	34.0 (3 470)	63.7 (6 500)	98 (10 000)	
Max. grappling capacity	kg	300	500	550	450	600	
A	Max. opening width	mm	1 590	1 660	1 660	2 100	2 550
B	Overall grapple width	mm	1 700	2 070	2 070	2 500	2 900

<Notes> ● Data shown above are in SI units, followed by data in conventional units in ().

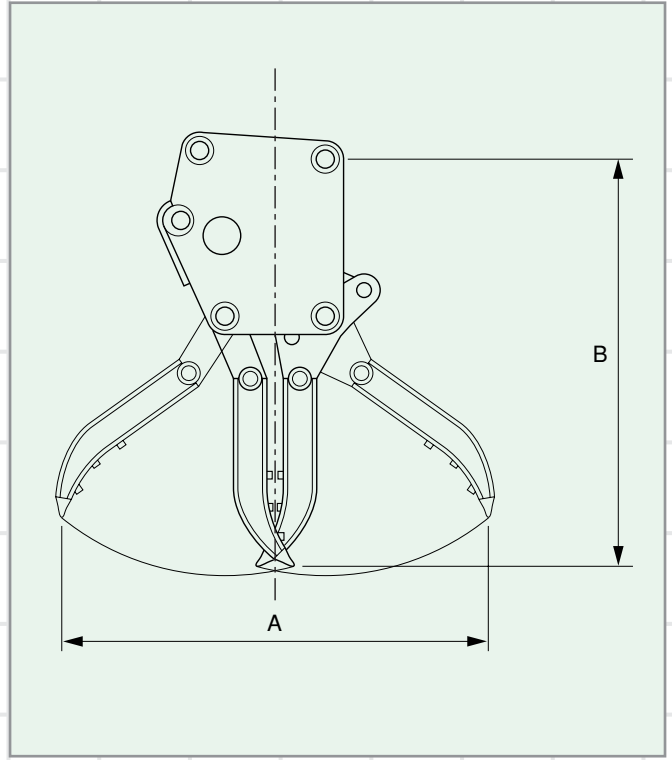
● Some models other than the above are applicable.

● Tooth profile varies depending on model.

Tilt type

- Simple structure provides superior durability. Effective wall ripping can be done.

● Dimensions ●



● Specifications ●

Applicable Models	ZAXIS70 (LC)	ZAXIS110	ZAXIS120	ZAXIS200 (LC)
Type	FG18T	FG35T	FG35T	FG65T
Operating weight	kg 400	680	680	1 250
Grabbing force (at center of fork)	kN (kgf) 17.7 (1 800)	34.3 (3 500)	34.3 (3 500)	63.7 (6 500)
Max. grappling capacity	kg 300	500	500	450
A Max. opening width	mm 1 600	1 650	1 650	2 110
B Overall grapple width	mm 1 580	1 932	1 932	2 400

<Notes> ● Data shown above are in SI units, followed by data in conventional units in ().

- Some models other than the above are applicable.
- Tooth profile varies depending on model.