

Concrete Crusher

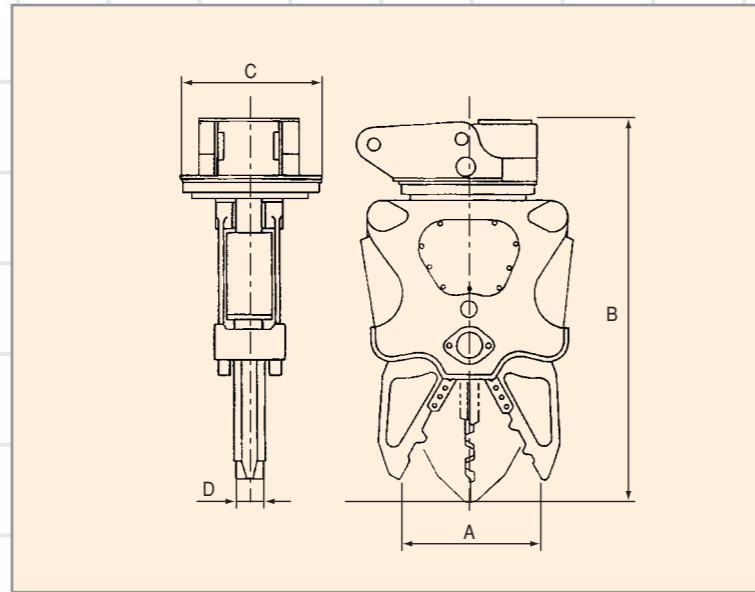
Powerful attachment suitable for crushing concrete structures

- Low-noise, low-vibration design for urban works.
- Full 360° turn allows efficient crushing and demolition. The cutter is incorporated for cutting the reinforcement. Crushing force is ample 120 tf.

Hydraulic Turn Type



Dimensions



Specifications

Applicable Models	ZAXIS210 (LC) K / 225USR (LC) K / 240 (LC) K
Type	HSC100
Operating weight	kg 2 450
Max. crushing force	kN (tf) 1 176 (120)
A Max. opening width	mm 920
B Overall length	mm 2 400
C Overall width	mm 840 Dia.
D Tooth width	mm 100

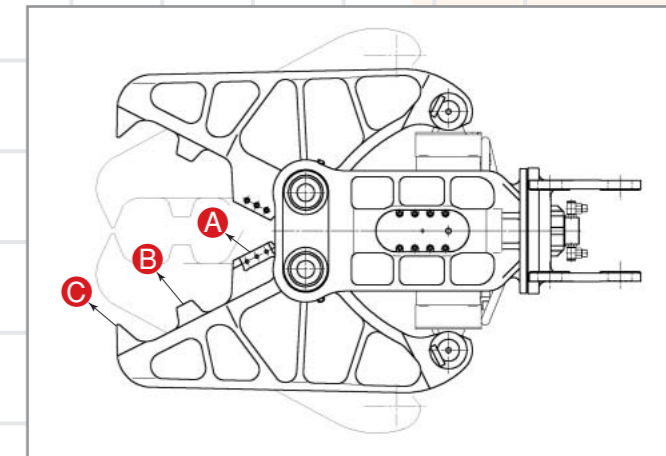
<Note> Data shown above are in SI units, followed by data in conventional units in ().

Full 360° Turn Type

- Deformed materials can be cut through the use of springs on both sides of the cylinder, reducing loading to the hydraulic excavator.
- Full 360° turn allows continuous cutting in horizontal and vertical directions.
- Quiet cutting at low 64 to 65 dB(A).
- Big cutting force for cutting four to five 3/4" reinforcing bars at a time. Cutting force at the center of the cutter is three times that at the top of cutter.



Dimensions



Specifications

Applicable Models	ZAXIS80LCK	ZAXIS130K	ZAXIS210K	ZAXIS210LCK
Type	HSC60F	HSC90F	HSC155F	HSC150F
Operating weight	kg 640	1 300	2 200	2 350
Overall length	mm 1 593	2 122	2 406	2 580
Overall width	mm 970	1 225	1 479	1 595
Max. opening distance	mm 500	800	850	930
Max. hydraulic pressure	MPa (kgf/cm ²) 20.6 (210)	27.5 (280)	27.5 (280)	27.5 (280)
Max. crushing force	kN (tf)			
A	1 275 (130)	1 961 (200)	3 236 (330)	3 256 (332)
B	569 (58)	883 (90)	1 520 (155)	1 471 (150)
C	382 (39)	588 (60)	981 (100)	961 (98)

<Note> Data shown above are in SI units, followed by data in conventional units in ().