

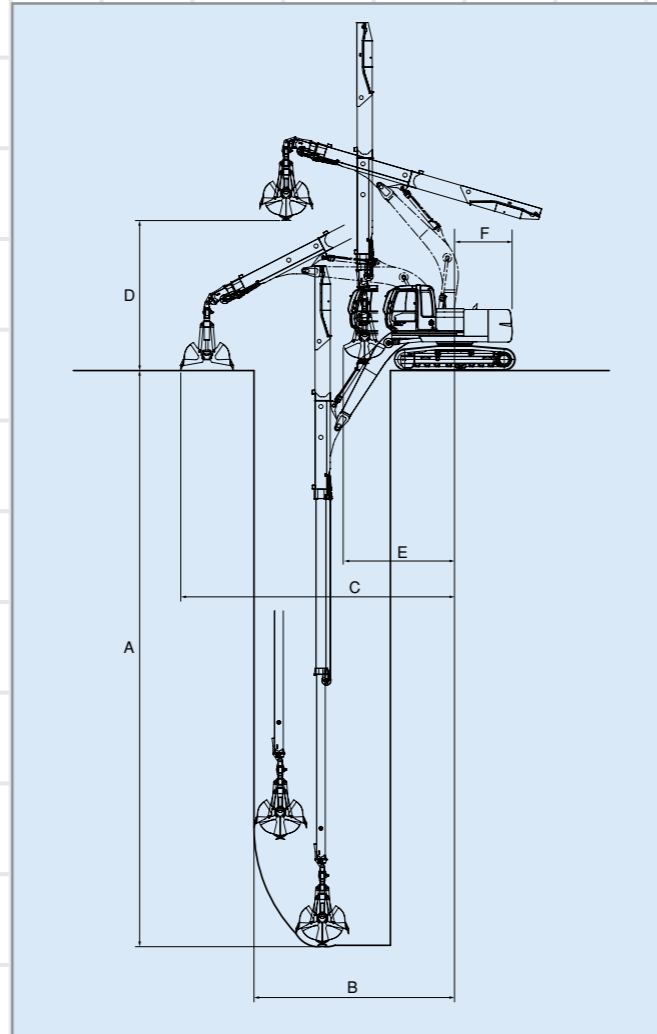
Clamshell Telescopic Arm

Suitable for jobs requiring deeper, faster, stronger digging

Rope type (speed-first design)

- Quick, smooth telescopic movement with the new-type extension mechanism and improved hydraulic circuit.
- Slim arm for protection from damage. The telescopic arm does not project when the bucket is in vertical position.
- The telescopic arm is designed for easy, quick rope replacement.

● Working Range Diagram ●



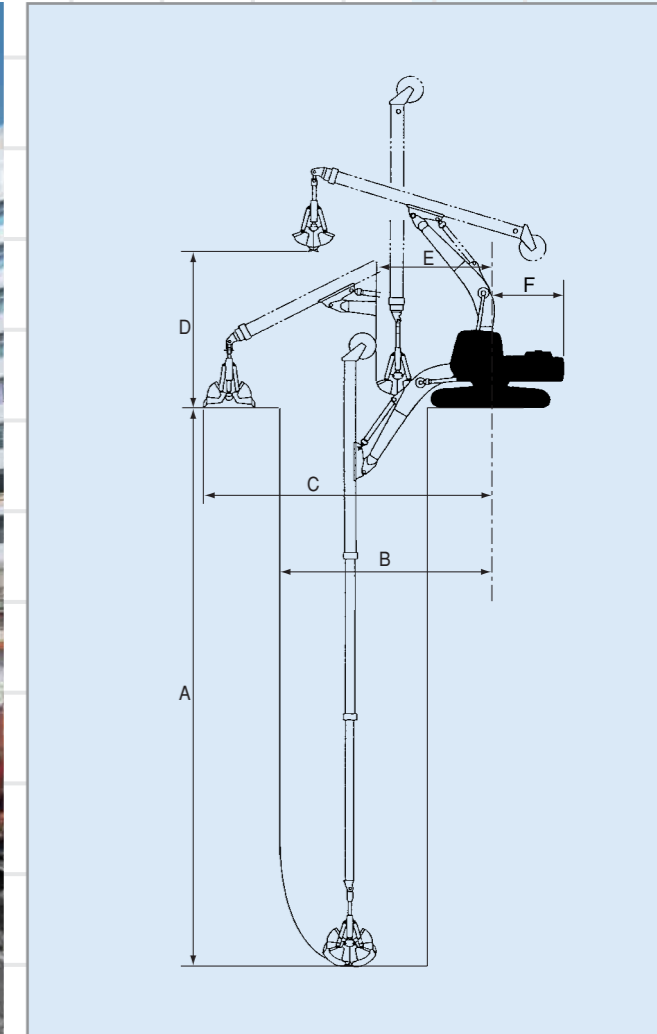
A variety of clamshell telescopic arms are available to meet customers' needs when digging pits for water supply and sewage, and excavating building and steel tower foundations.

There are a sliding-cab-mounted type for greater safety and productivity.

Hyd. cylinder type [Priority is given to digging force]

- A combination of hydraulic cylinder-controlled, multi-stage telescopic arm and shell-push clamshell provides strong digging force.
- The hydraulic cylinders are built into the arm, greatly reducing damage and eliminating maintenance for ropes.

● Working Range Diagram ●



● Specifications ●

| Applicable Models | | ZAXIS200LC | ZAXIS225USRLC | ZAXIS330LC |
|-----------------------------|--------------------------------|------------|---------------|------------|
| Type | | TC200R | | TC300R |
| Working range | A Max. digging depth mm | 21 150 | | 25 200 |
| | B Max. vertical wall radius mm | 7 450 | | 8 420 |
| | C Max. working radius mm | 10 140 | | 11 100 |
| | D Max. dumping height mm | 5 580 | | 5 500 |
| | E Min. front swing radius mm | 4 250 | | 5 510 |
| | F Rear-end swing radius mm | 2 750 | 2 120 | 3 540 |
| Bucket capacity | m ³ | 0.8 | | 1.3 |
| Operating weight (with cab) | kg | 26 000 | 28 700 | 42 000 |

● Specifications ●

| Applicable Models | | ZAXIS70 (LC) | ZAXIS75US-A | ZAXIS110 | ZAXIS120 | ZAXIS135US | ZAXIS200 (LC) | ZAXIS225USRLC |
|-------------------|--------------------------------|---------------|-------------|----------|----------|------------|-----------------|---------------|
| Type | | TC60-A | | TC100-A | TC100-B | TC120-A | TC120-B | TC120-A |
| Working range | A Max. digging depth mm | 10 200 | 10 200 | 14 200 | 14 400 | 16 500 | 14 400 | 16 500 |
| | B Max. vertical wall radius mm | 4 890 | 5 000 | 5 550 | 5 870 | 5 860 | 5 900 | 5 900 |
| | C Max. working radius mm | 6 060 | 6 180 | 7 680 | 7 970 | 8 100 | 8 000 | 8 130 |
| | D Max. dumping height mm | 3 960 | 3 270 | 4 640 | 4 890 | 5 160 | 4 730 | 4 960 |
| | E Min. front swing radius mm | 1 940 | 2 900 | 3 170 | 2 960 | 2 900 | 3 190 | 3 100 |
| | F Rear-end swing radius mm | 1 750 | 1 240 | 2 130 | 2 130 | 2 130 | 1 465 | 1 465 |
| Bucket capacity | m ³ | 0.2 | | 0.3 | 0.3 | 0.25 | 0.3 | 0.25 |
| Operating weight | kg | 7 800 (7 940) | 8 800 | 12 400 | 13 300 | 14 400 | 13 900 | 14 400 |
| | | | | | | | 23 600 (24 100) | 24 300 |